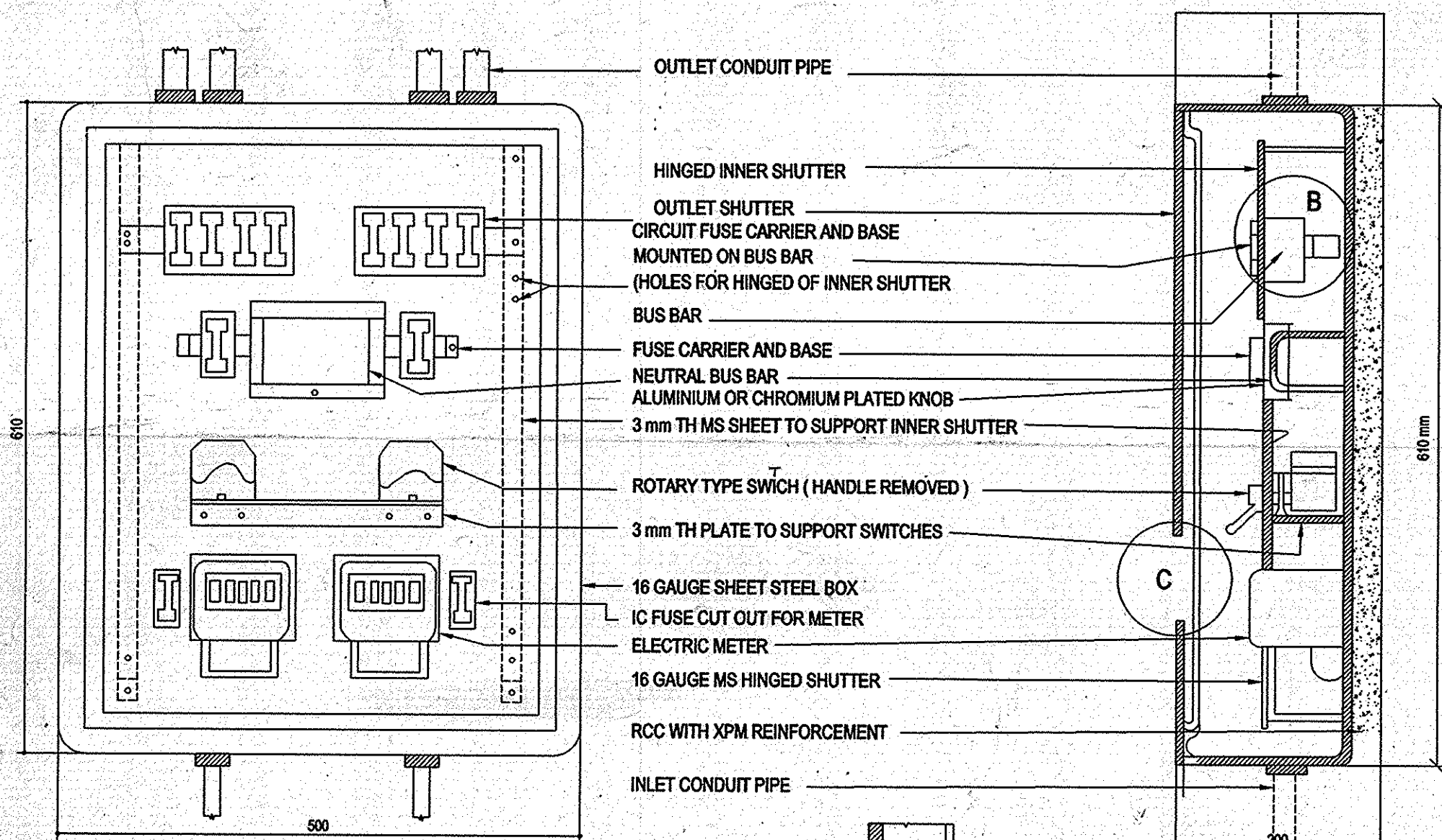


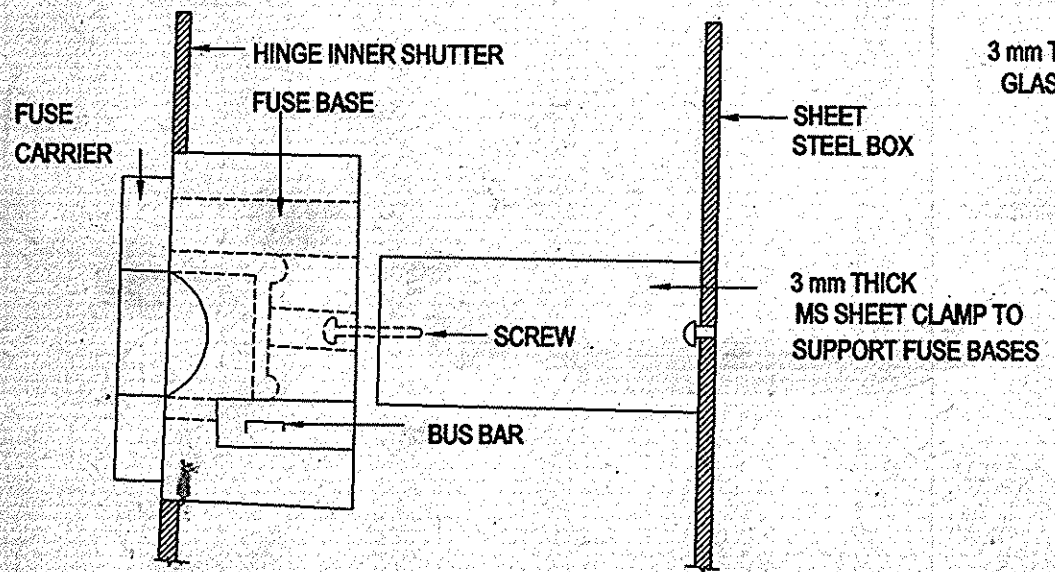
SL NO. NOTES

- 1 THIS DRAWING SHALL BE REFERED ONLY FOR CONSTRUCTION PURPOSES, OVER ALL DIMENSIONS LENGTH & BREADTH SHALL BE DIMENSIONS LENGTH & BREADTH SHALL BE ADOPTED FROM THE RESPECTIVE DRAWINGS
- 2 1 NO. 75 mm LONG MS BLACK JAPAN HASP STAPPLE SHALL BE RIVETED TO SHUTTER FRAME FOR LOCKING ARRANGEMENT INSTED OF SPRIG LOADED BALL CATCH

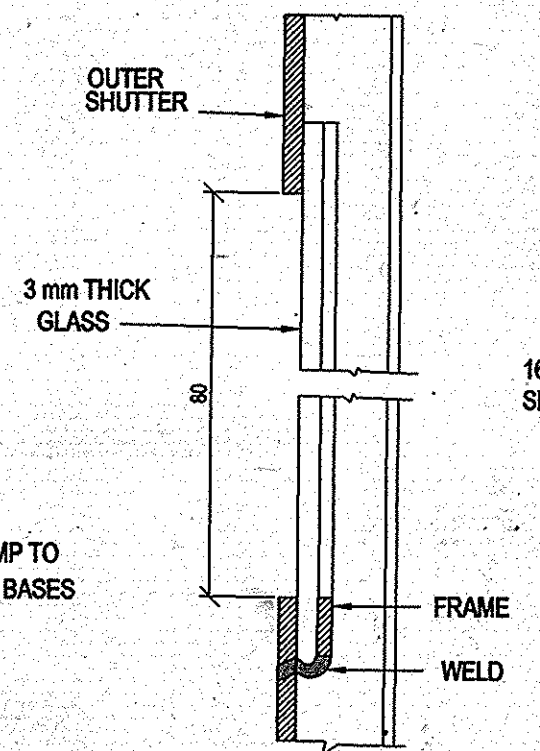


FRONT ELEVATION
(BOTH SHUTTER REMOVED)
SCALE :- 1:50

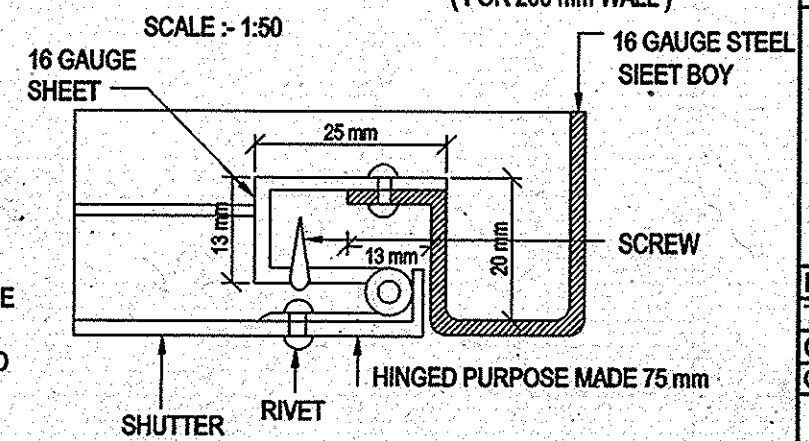
TYPICAL SECTION OF SWITCH BOX
(FOR 200 mm WALL)
SCALE :- 1:50



DETAIL AT 'B'
SCALE :- NOT TO SCALE



DETAIL AT 'C'
SCALE :- 1:10



DETAIL AT 'C'
SCALE :- 1:10

DRG COMPARED BY
PACHANGE NY
09.06.03
R. Rama Mohan
CD

**SWITCH BOXES FOR DOME STIC LIGHT & POWER (MAIN)
SWITCHES AND DISTRIBUTION BOARDS INCLUDING METERS**

DRN	JRA	CHIEF ENGINEER PUNE ZONE PUNE	DATE
TCD			1-10-97
CKD			SCALE AS SHOWN

<i>[Signature]</i>	ASST ARCH.	sd xxx
		SO III EM
DRG. NO. CEPZ/88/TD/14M		SHT. 3/3